

BUYER'S MODEL NO. 7422

FACTORY MODEL CA51560

ORIGINAL ISSUE

APRIL, 2005

SECTION ----

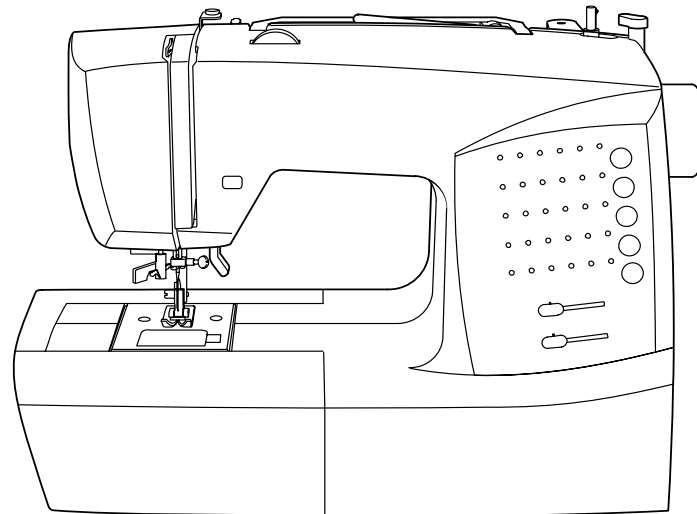
REVISION

NOVEMBER, 2005

REFER TO IMPORTANT NOTICE BELOW

USA ONLY

PARTS LIST FOR MODEL 7422



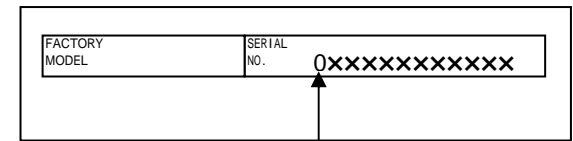
IMPORTANT:

WHEN ORDERING THE PARTS
ALWAYS CHECK THE SERIAL
NUMBER OF THE MACHINE.

FIRST DIGIT OF THE SERIAL
NUMBER MUST MATCH WITH
THE LAST DIGIT OF THE FACTORY
MODEL ABOVE.

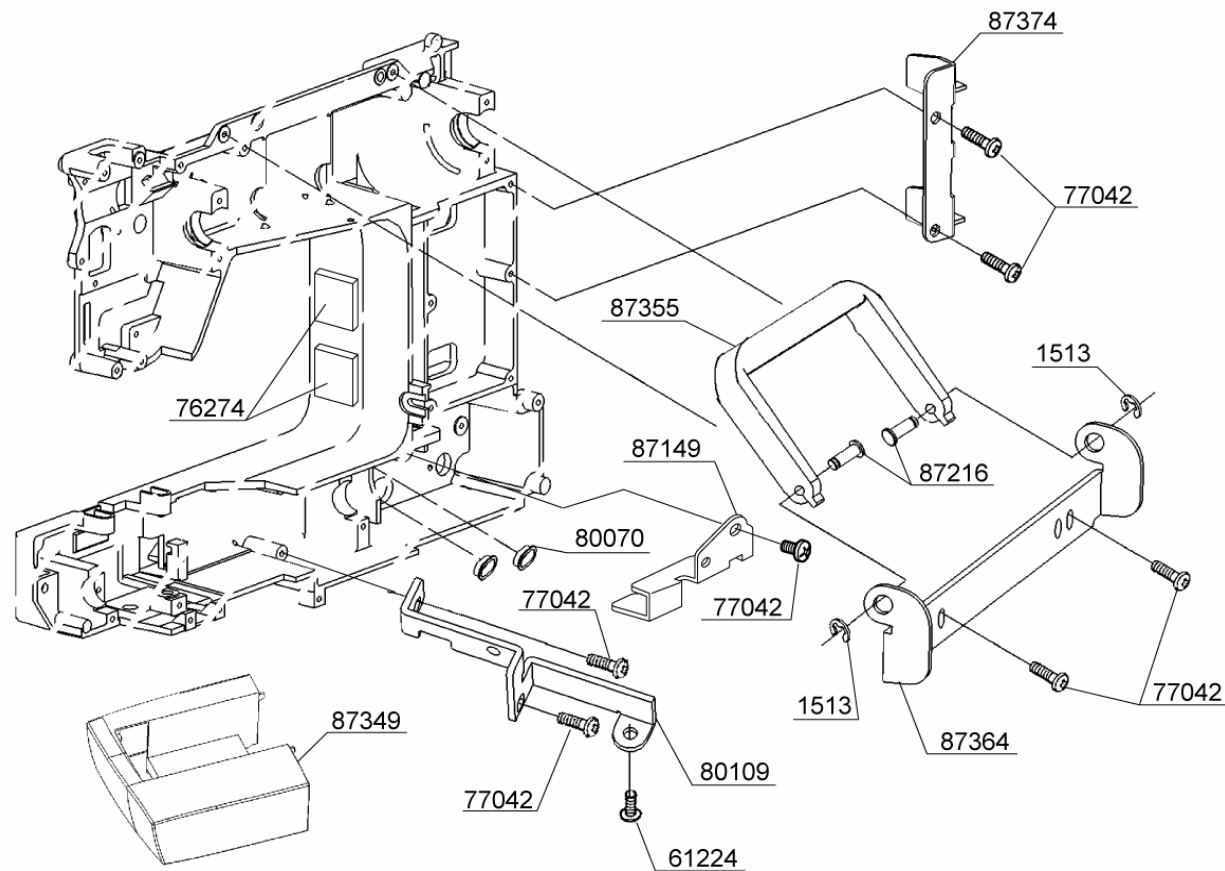
From the Library of: Diamond Needle Corp

SINGER®



FIRST DIGIT

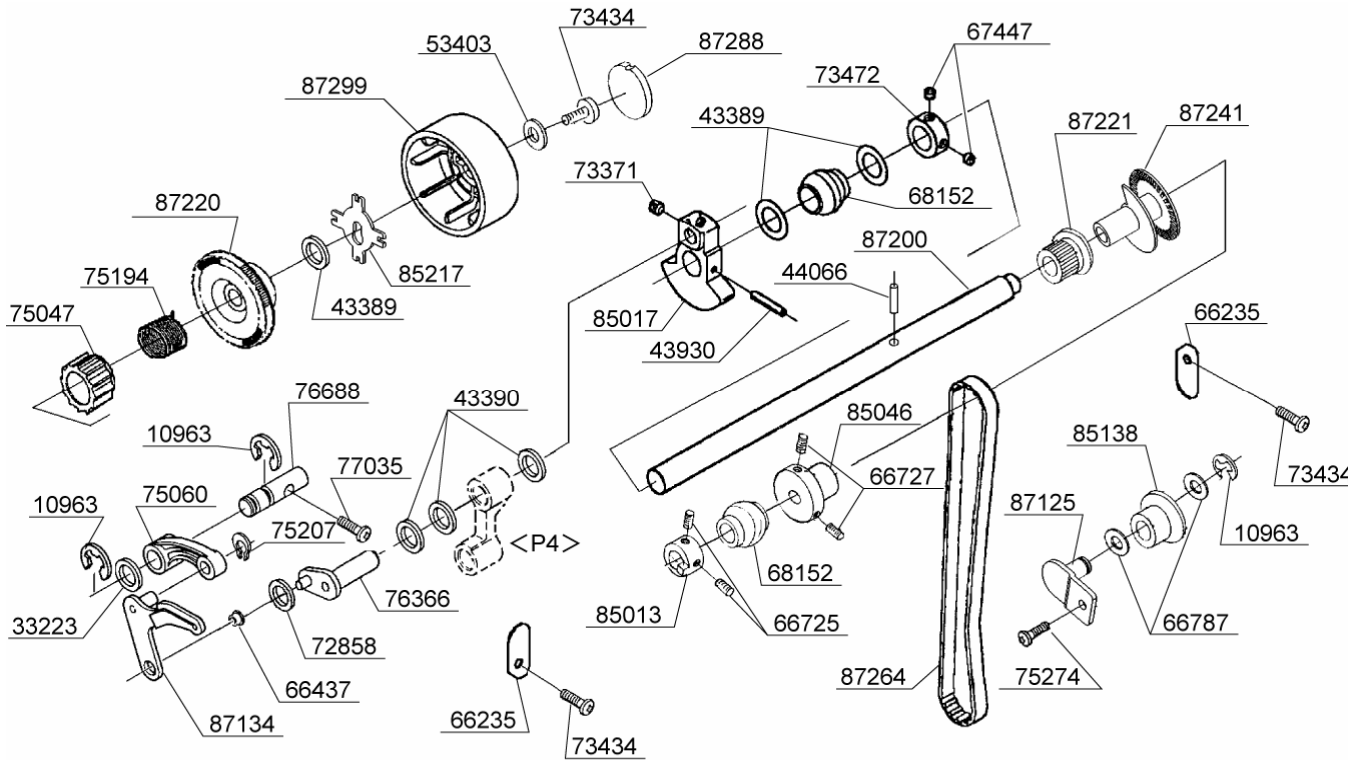
BUYER'S MODEL NO.	7422	SECTION	PAGE	REVISION	REMARKS	PART NO.	DESCRIPTION
BUYER'S MODEL NAME	COSMO J-1,CB-1		1	NOVEMBER, 2005		1513	E4 CLIP-ON-WASHER
FACTORY MODEL	CA51560					61224	M4 PHILLIPS SCREW
ORIGINAL ISSUE	APRIL, 2005	SERIAL NO.				76274	SPACER



77042	M4 PHILLIPS SCREW
80070	CORD GUIDE
80109	BRACKET
87149	BRACKET
87216	PIN
87349	ACC. BOX
87355	HANDLE
87364	HANDLE BRACKET
87374	BRACKET

From the library of: Diamond Needle Corp

BUYER'S MODEL NO.	7422	SECTION	PAGE	REVISION	REMARKS	PART NO.	DESCRIPTION
BUYER'S MODEL NAME	COSMO J-1,CB-1		2	NOVEMBER, 2005		10963	E6 CLIP-ON-WASHER
FACTORY MODEL	CA51560					33223	WASHER
ORIGINAL ISSUE	APRIL, 2005	SERIAL NO.				43389	THRUST WASHER



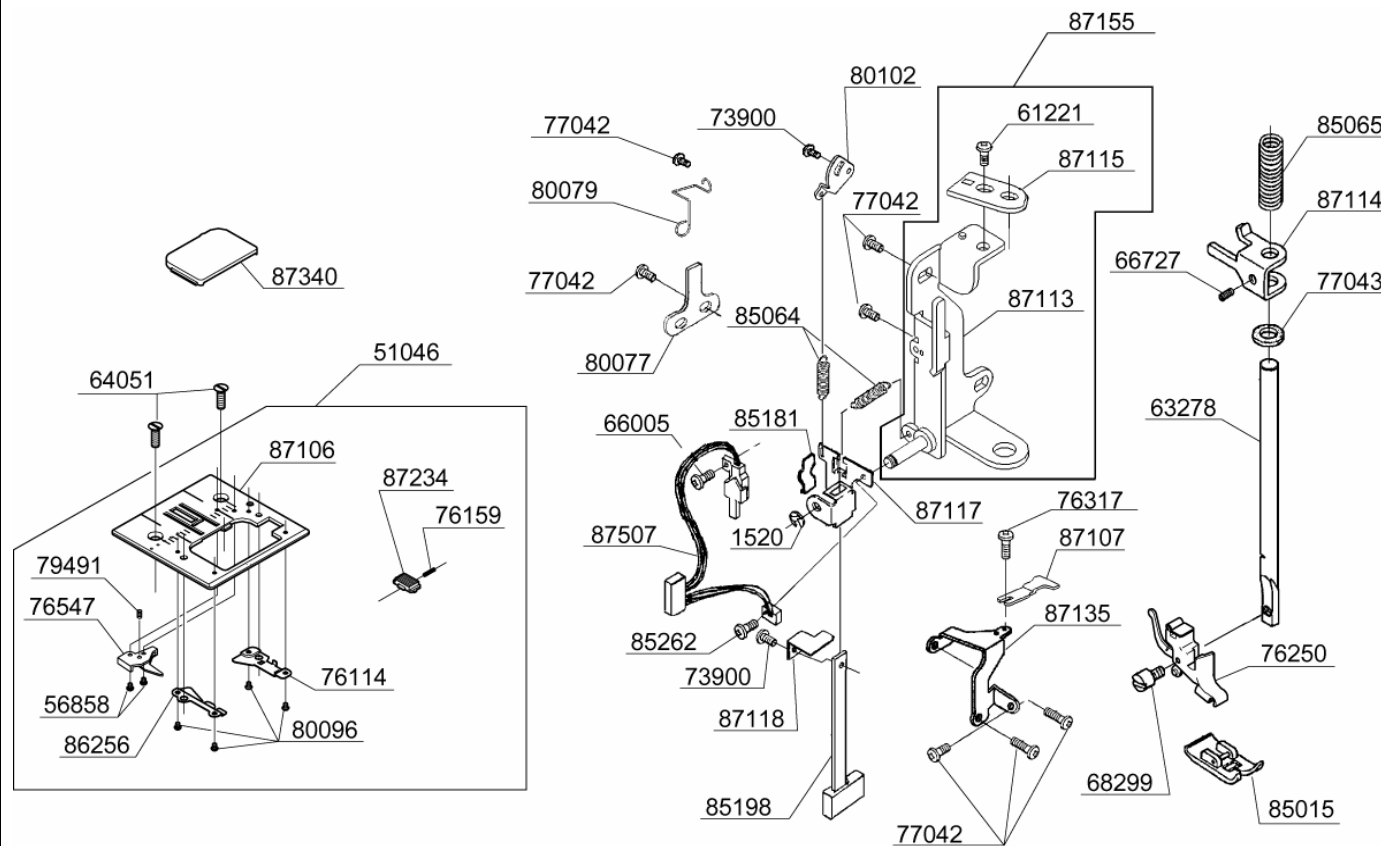
43930	SPRING PIN
44066	SPRING PIN
53403	WASHER
66235	SECURING PLATE
66437	BUSH
66725	M4 SCREW
66727	M4 SCREW
66787	WASHER
67447	M5 SCREW
68152	BALL BUSH
72858	WASHER
73371	M6 SCREW
73434	M4 PHILLIPS SCREW
73472	COLLAR
75047	CLUTCH
75060	TAKE-UP LEVER CRANK
75194	TORSION SPRING
75207	CS-CLIP
75274	M4 PHILLIPS SCREW
76366	CRANK SHAFT
76688	SHAFT
77035	M4 PHILLIPS SCREW
85013	POSITIONING COLLAR
85017	BALANCER
85046	COLLAR
85138	TENSION ROLLER
85217	RETAINER
87125	IDLER PULLEY BRACKET
87134	TAKE-UP LEVER
87200	MAIN SHAFT
87220	BELT PULLEY
87221	UPPER TIMING BELT GEAR
87241	ENCODER
87264	TIMING BELT
87288	PULLEY CAP
87299	PULLEY

BUYER'S MODEL NO.	7422	SECTION	PAGE	REVISION	REMARKS	PART NO.	DESCRIPTION
BUYER'S MODEL NAME	COSMO J-1,CB-1		3	NOVEMBER , 2005		10963	E6 CLIP-ON-WASHER
FACTORY MODEL	CA51560					76317	M3 PHILLIPS SCREW
ORIGINAL ISSUE	APRIL , 2005	SERIAL NO.				77042	M4 PHILLIPS SCREW
						77053	M3 PHILLIPS SCREW
						85274	M2 SCREW
						87127	BOBBIN WINDER BRACKET
						87128	MOUNTING BRACKET
						87129	RETAINER
						87139	MOUNTING BRACKET
						87180	EXTENSION SPRING
						87182	TORSION SPRING
						87214	M3 SHOULDER SCREW
						87242	INSULATION SHEET
						87361	BOBBIN WINDER UNIT
						87506	SWITCH HARNESS
						87576	PHOTO SENSOR CIRCUIT BOARD
						From the library of: Diamond Needle Corp	

BUYER'S MODEL NO.	7422	SECTION	PAGE	REVISION	REMARKS	PART NO.	DESCRIPTION
BUYER'S MODEL NAME	COSMO J-1,CB-1		4	NOVEMBER, 2005		1513	E4 CLIP-ON-WASHER
FACTORY MODEL	CA51560					8058	NEEDLE CLAMP SCREW
ORIGINAL ISSUE	APRIL, 2005	SERIAL NO.				26934	#8 SCREW
						28917	HOOK FOR SPRING
						31733	M3 NUT
						39213	M3 SCREW
						53321	THRUST WASHER
						63796	M3 SCREW
						64359	M4 SCREW
						64653	M3 SCREW
						66005	M2 PHILLIPS SCREW
						66725	M4 SCREW
						67232	NEEDLE
						68343	PIN
						72367	M4 CP SCREW
						73299	M4 TORQUE NUT
						73900	M3 PHILLIPS SCREW
						74050	EXTENSION SPRING
						75022	THREAD GUIDE
						75024	STOPPER
						75025	GUIDE BLOCK
						75027	COMPRESSION SPRING
						76163	THREADER SHAFT SET
76183	NEEDLE BAR						
76317	M3 PHILLIPS SCREW						
76324	M4 SCREW						
77041	UNITY FASTENER						
77042	M4 PHILLIPS SCREW						
77043	FELT						
77421	THREADER ASSEMBLY						
77527	SENSOR COVER						
80003	NEEDLE CLAMP SET						
80073	NEEDLE BAR CRANK SET						
80090	VINYL TUBE						
80092	VINYL TUBE						
80095	STRAIGHT PIN						
8058	NEEDLE BAR SUPPORT						
8095	NEEDLE BAR SUPPORT BRACKET						
8101	NEEDLE BAR SUPPORT BRACKET						
8108	NEEDLE BAR SUPPORT BRACKET						
8109	SECURING PLATE						
8110	NEEDLE BAR ADJUSTING PLATE						
8111	NEEDLE BAR SWING BRACKET						
8116	BELL CLANK FOR ZIGZAG						
8120	THREAD GUIDE PLATE						
8136	L-R LIMITER						
8183	SPRING						
8184	SPRING						
8207	STRAIGHT PIN						
8211	M3 SCREW						
8225	ECCENTRIC CAM						
8235	ZIGZAG CAM WITH GEAR						
8236	LED LIGHT COVER						
8246	PINION GEAR						
8265	SPACER						
8267	INSULATION SHEET						
87502	LED LIGHT CIRCUIT BOARD						
87517	SWITCH HARNESS FOR ZIGZAG						
87600	STEPPING MOTOR (Sub. for 87500)						

ros the library of Diamond Needle Corp

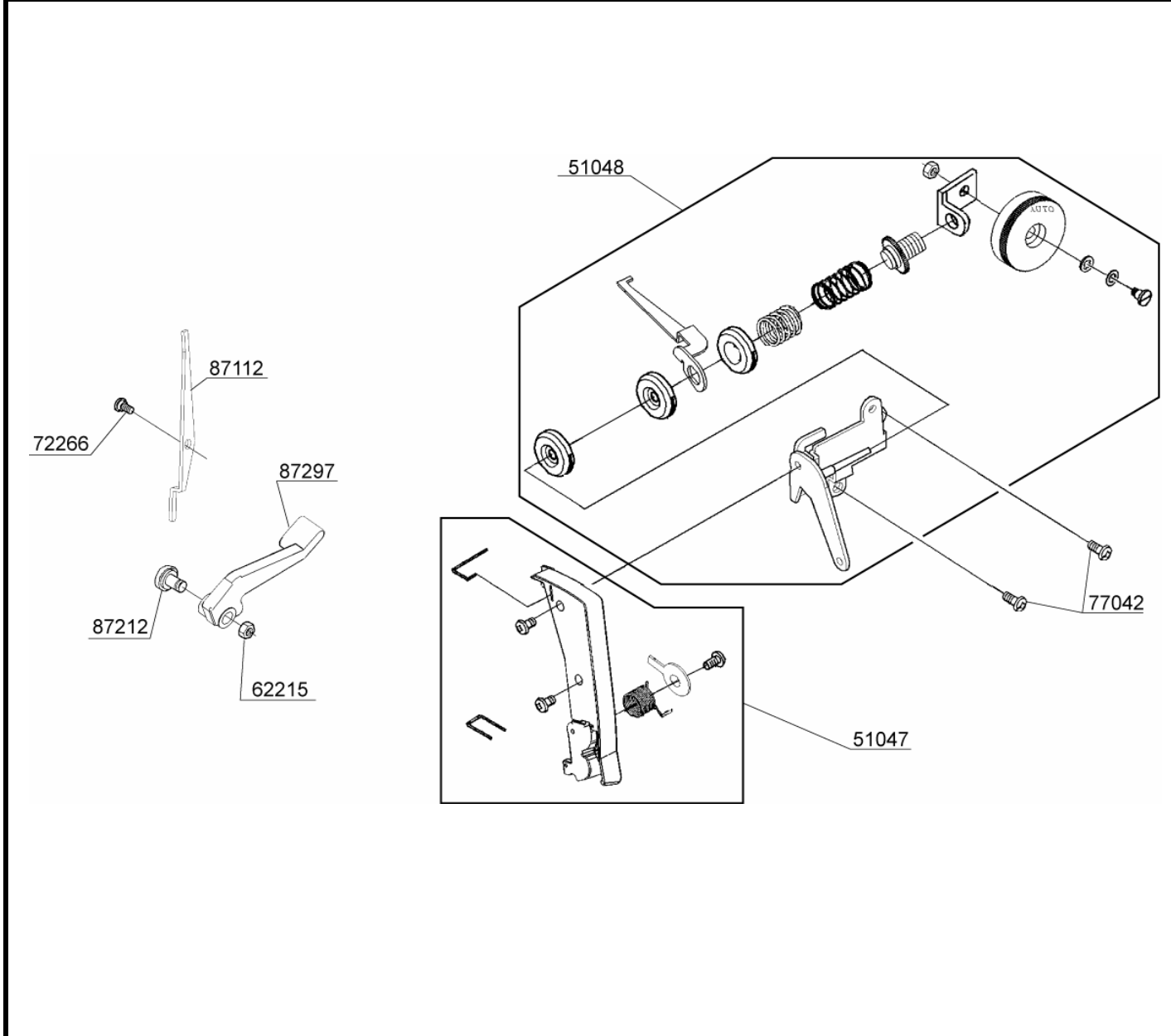
BUYER'S MODEL NO.	7422	SECTION	PAGE	REVISION	REMARKS	PART NO.	DESCRIPTION
BUYER'S MODEL NAME	COSMO J-1,CB-1		5	NOVEMBER, 2005			
FACTORY MODEL	CA51560						
ORIGINAL ISSUE	APRIL, 2005	SERIAL NO.					



1520	E3 CLIP-ON-WASHER
51046	NEEDLE PLATE SET
56858	M2 PHILLIPS SCREW
61221	M4 PHILLIPS SCREW
63278	PRESSER BAR
64051	M4 SCREW
66005	M2 PHILLIPS SCREW
66727	M4 SCREW
68299	#7 SCREW FOR SHANK
73900	M3 PHILLIPS SCREW
76114	COVER GUIDE (R)
76159	COMPRESSION LEVER
76250	PRESSER FOOT HOLDER
76317	M3 PHILLIPS SCREW
76547	THREAD CONTROL PLATE
77042	M4 PHILLIPS SCREW
77043	FELT
79491	SCREW
80077	PRESSER BAR GUIDE SECURING PLATE
80079	CORD GUIDE
80096	M2 PHILLIPS SCREW
80102	CONTROL PLATE
85015	ZIGZAG PRESSER FOOT
85064	EXTENSION SPRING
85065	COMPRESSION SPRING
85181	LEAF SPRING
85198	BH PLATE (A)
85262	M2 SCREW
86256	COVER GUIDE (L)
87106	NEEDLE PLATE
87107	BOBBIN CASE STOPPER
87113	PRESSURE BAR BRACKET
87114	PRESSURE BAR GUIDE
87115	PRESSURE SUPPORT PLATE
87117	BH PLATE B
87118	BH PLATE C
87135	BRACKET
87155	PRESSURE BAR BRACKET SET
87234	RELEASE LEVER
87340	NEEDLE COVER PLATE
87507	BH SWITCH HARNESS

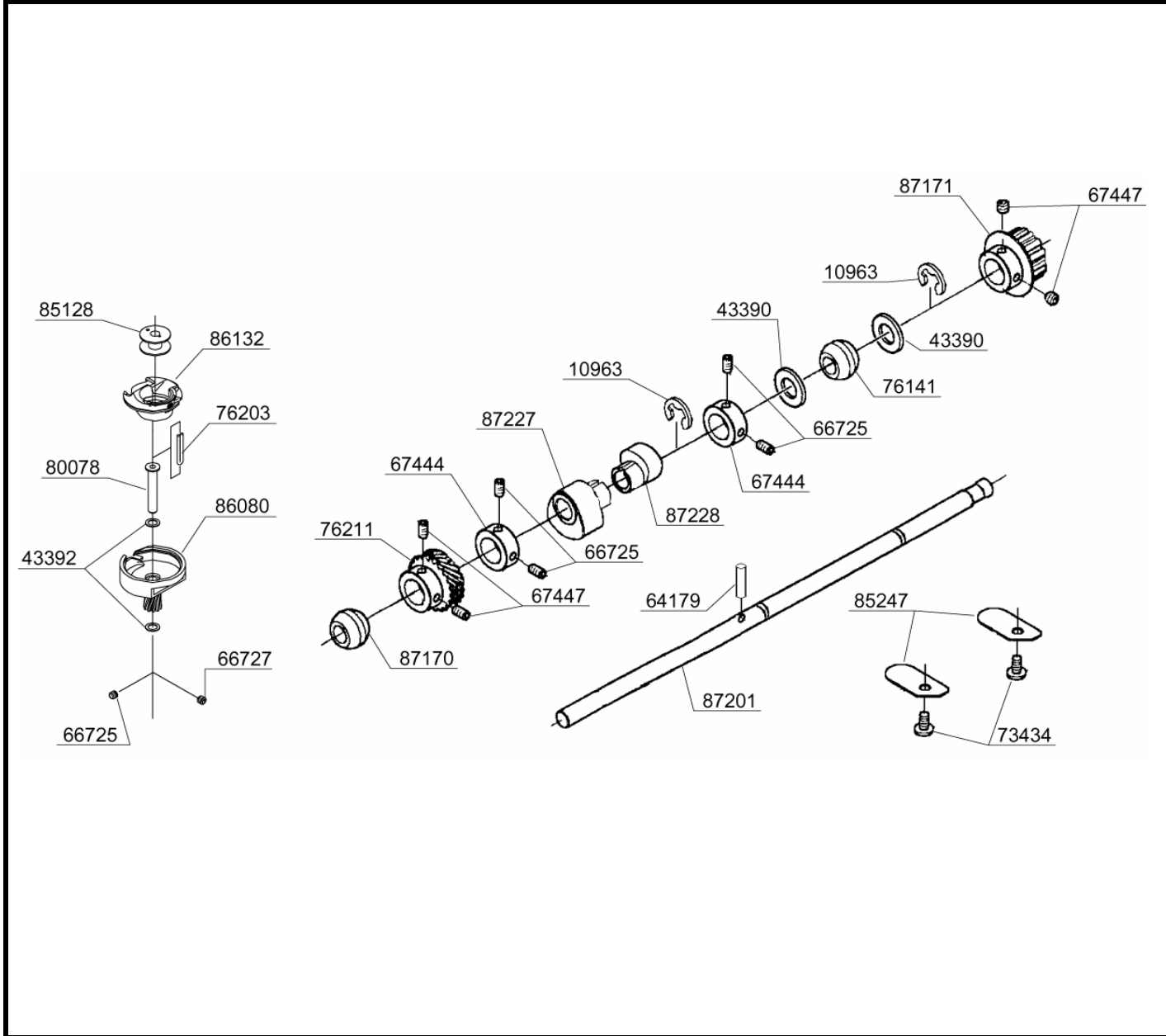
From the library of: Diamond Needle Corp

BUYER'S MODEL NO.	7422	SECTION	PAGE	REVISION	REMARKS	PART NO.	DESCRIPTION
BUYER'S MODEL NAME	COSMO J-1,CB-1		6			51047	THREAD GUIDE PLATE ASSY
FACTORY MODEL	CA51560					51048	TENSION ASSY
ORIGINAL ISSUE	APRIL , 2005	SERIAL NO.				62215	M4 NUT
						72266	M4 STUD SCREW
						77042	M4 PHILLIPS SCREW
						87112	TENSION RELEASE LEVER
						87212	M4 SCREW
						87297	PRESSURE BAR LIFTER



From the library of: Diamond Needle Corp

BUYER'S MODEL NO.	7422	SECTION	PAGE	REVISION	REMARKS	PART NO.	DESCRIPTION
BUYER'S MODEL NAME	COSMO J-1,CB-1		7	NOVEMBER , 2005		10963	E6 CLIP-ON-WASHER
FACTORY MODEL	CA51560					43390	THRUST WASHER
ORIGINAL ISSUE	APRIL , 2005					43392	THRUST WASHER
		SERIAL NO.				64179	SPRING PIN



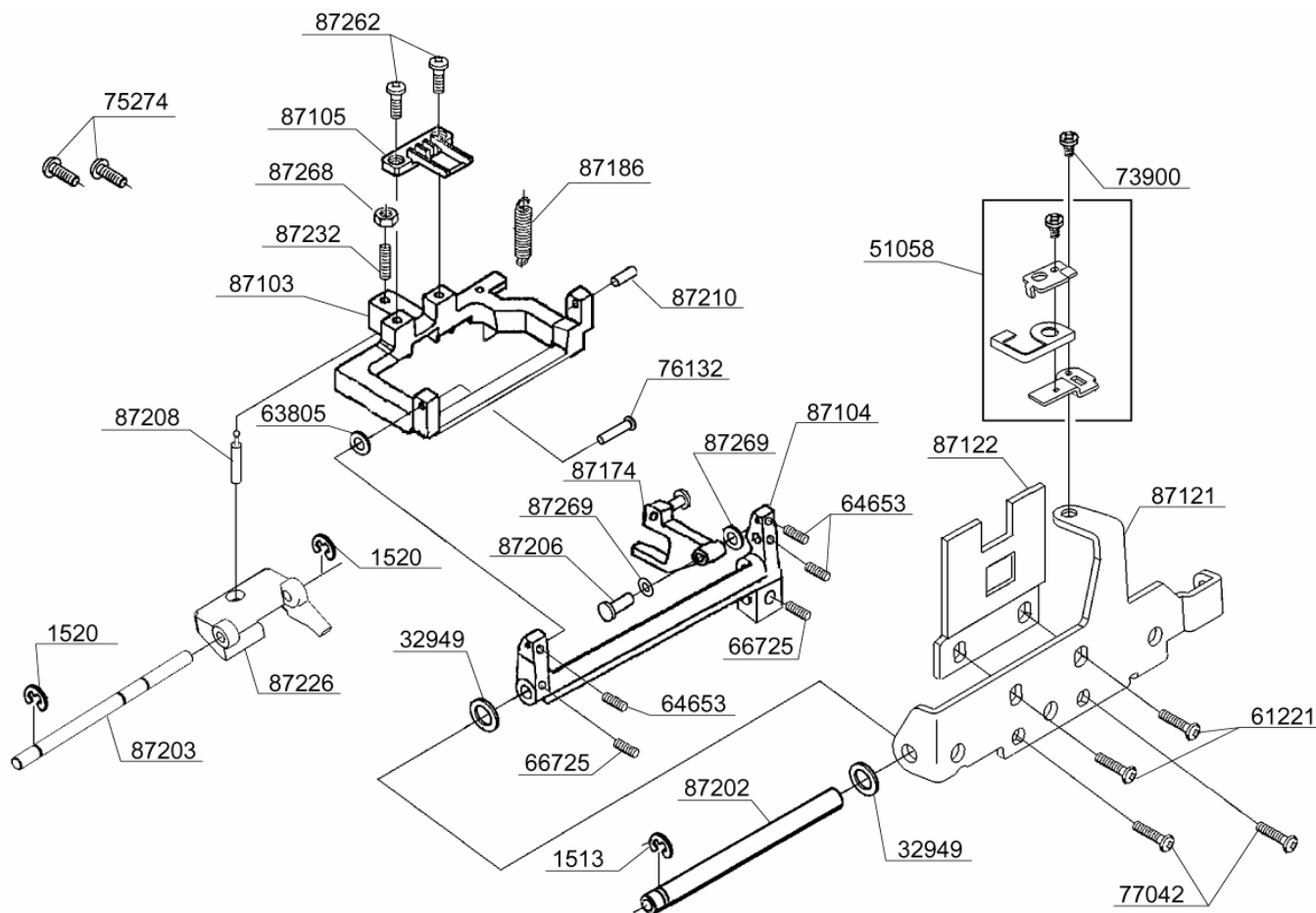
PART NO.	DESCRIPTION
10963	E6 CLIP-ON-WASHER
43390	THRUST WASHER
43392	THRUST WASHER
64179	SPRING PIN
66725	M4 SCREW
66727	M4 SCREW
67444	COLLAR
67447	M5 SCREW
73434	M4 PHILLIPS SCREW
76141	BALL METAL
76203	OILING CORD
76211	BEVEL GEAR
80078	SHUTTLE RACE SHAFT
85128	BOBBIN
85247	SECURING PLATE
86080	SHUTTLE RACE
86132	BOBBIN CASE
87170	BALL METAL
87171	TIMING BELT GEAR (LOWER)
87201	LOWER STRAIGHT SHAFT
87227	LIFTING CAM
87228	FEED CAM

From the library of: Diamond Net Corp

BUYER'S MODEL NO.	7422	SECTION	PAGE	REVISION	REMARKS	PART NO.	DESCRIPTION
BUYER'S MODEL NAME	COSMO J-1,CB-1		8-1			1513	E4 CLIP-ON-WASHER
FACTORY MODEL	CA51560					1520	E3 CLIP-ON-WASHER
ORIGINAL ISSUE	APRIL , 2005	SERIAL NO.				32949	WASHER

TYPE-A

Shape of stitch length mechanism is different between TYPE-A and TYPE-B due to the difference of ratio of gears. Check which is the machine serviced according to the shape of motor gear.



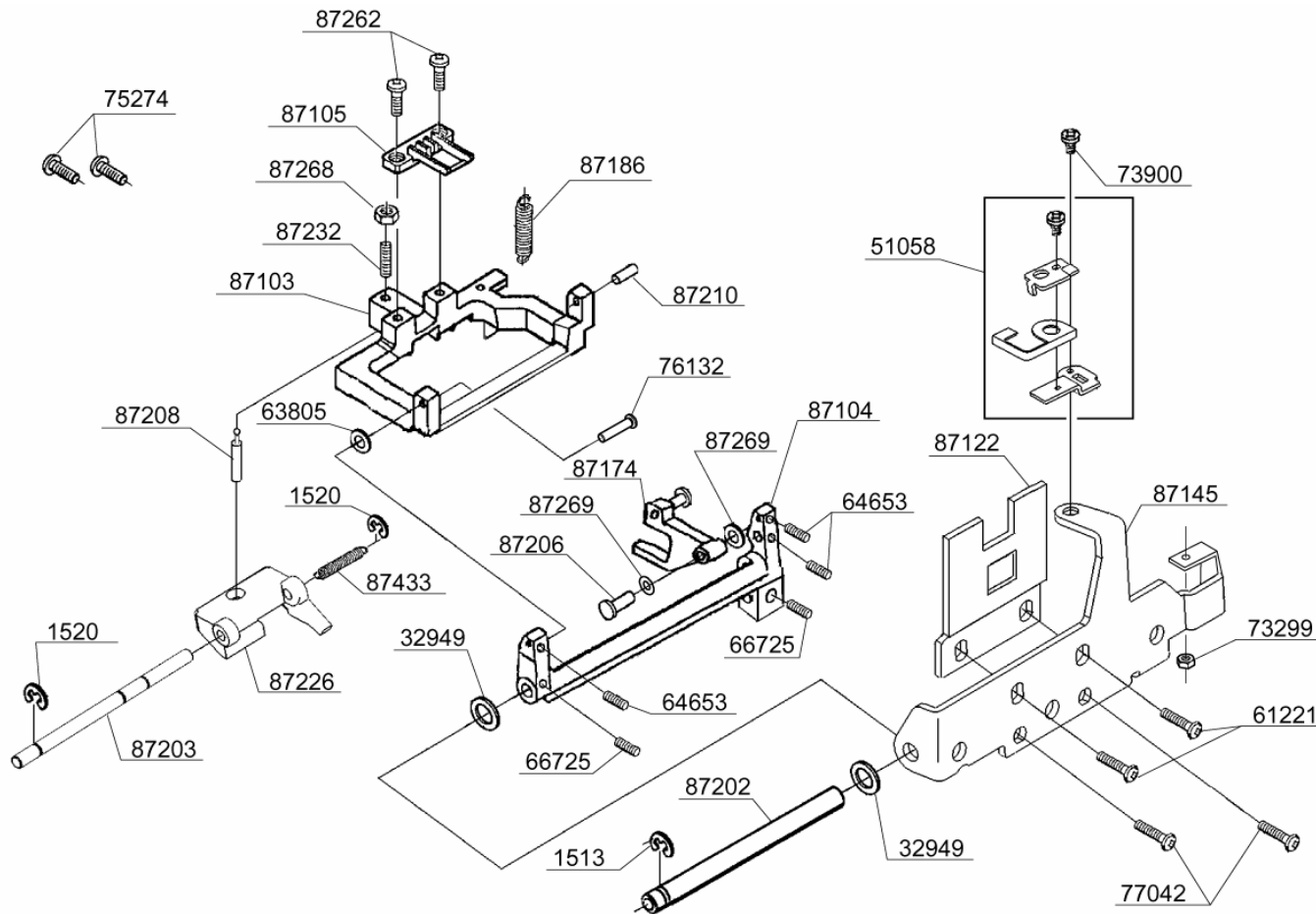
61221	M4 PHILLIPS SCREW
63805	WASHER
64653	M3 SCREW
66725	M4 SCREW
73900	M3 PHILLIPS SCREW
75274	M4 PHILLIPS SCREW
76132	SHAFT
77042	M4 PHILLIPS SCREW
87103	FEED DOG BASE
87104	FEED DOG BASE SUPPORT
87105	FEED DOG
87121	SECURING BRACKET
87122	SUPPORT PLATE
87174	FORKED CRANK
87186	TORSION SPRING
87202	SHAFT
87203	SHAFT
87206	PIN
87208	BALL HEADED PIN
87210	PIN
87226	VERTICAL FEED BLOCK
87232	M6 STUD SCREW
87262	M3 CP SCREW
87268	M6 NUT
87269	WASHER

From the library of: Diamond Needle Corp

BUYER'S MODEL NO.	7422	SECTION	PAGE	REVISION	REMARKS
BUYER'S MODEL NAME	COSMO J-1,CB-1		8-2		
FACTORY MODEL	CA51560				
ORIGINAL ISSUE	NOVEMBER, 2005	SERIAL NO.			

TYPE-B

Shape of stitch length mechanism is different between TYPE-A and TYPE-B due to the difference of ratio of gears. Check which is the machine serviced according to the shape of motor gear.

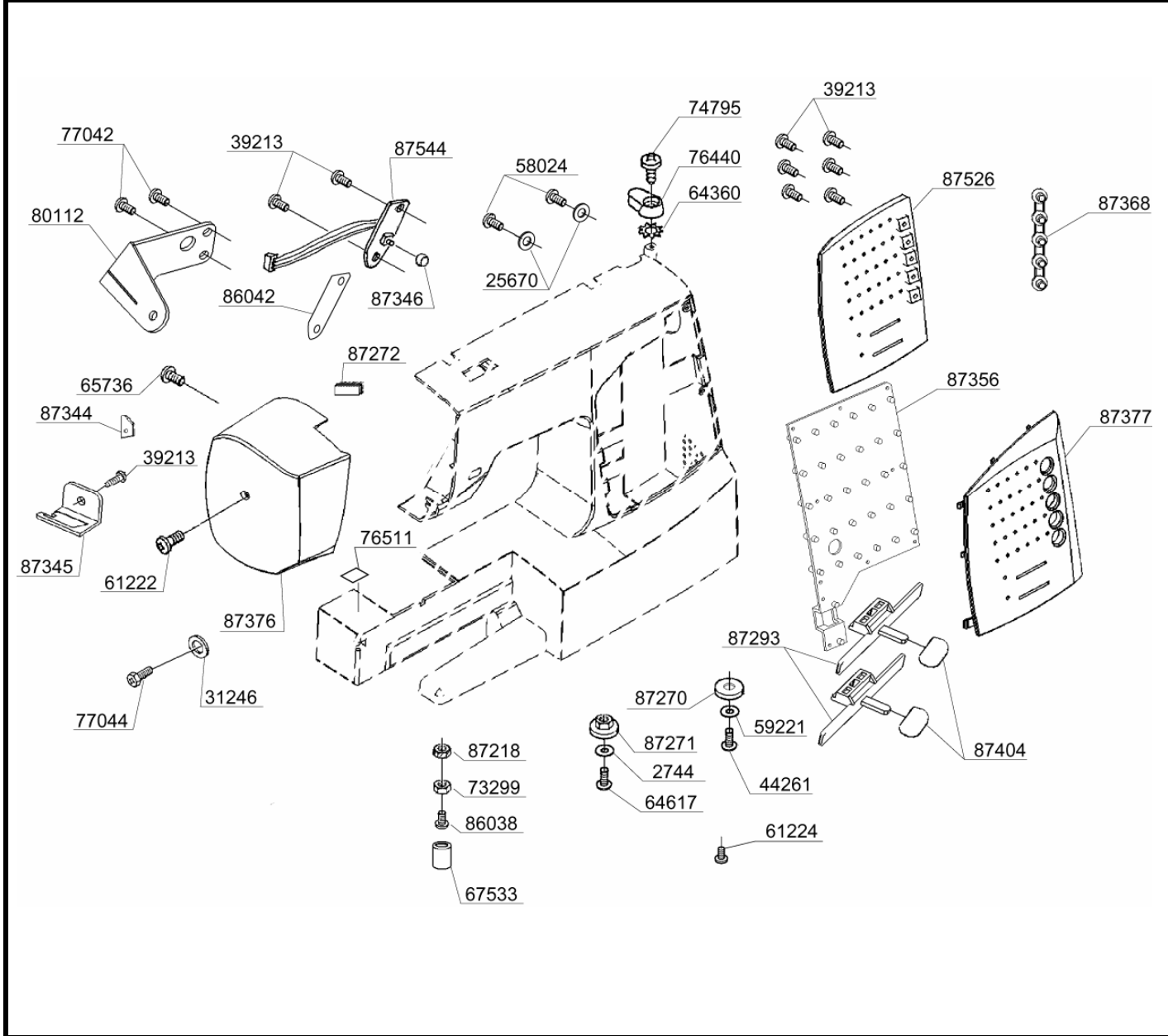


PART NO.	DESCRIPTION
1513	E4 CLIP-ON-WASHER
1520	E3 CLIP-ON-WASHER
32949	WASHER
51058	RETAINER SET
61221	M4 PHILLIPS SCREW
63805	WASHER
64653	M3 SCREW
66725	M4 SCREW
73299	M4 TORQUE NUT
73900	M3 PHILLIPS SCREW
75274	M4 PHILLIPS SCREW
76132	SHAFT
77042	M4 PHILLIPS SCREW
87103	FEED DOG BASE
87104	FEED DOG BASE SUPPORT
87105	FEED DOG
87122	SUPPORT PLATE
87145	SECURING BRACKET
87174	FORKED CRANK
87186	TORSION SPRING
87202	SHAFT
87203	SHAFT
87206	PIN
87208	BALL HEADED PIN
87210	PIN
87226	VERTICAL FEED BLOCK
87232	M6 STUD SCREW
87262	M3 CP SCREW
87268	M6 NUT
87269	WASHER
87433	TORSION SPRING

From the library of: Diamond Needle Corp

BUYER'S MODEL NO.	7422	SECTION		PAGE	10	REVISION		REMARKS		PART NO.	DESCRIPTION
BUYER'S MODEL NAME	COSMO J-1,CB-1									1520	E3 CLIP-ON-WASHER
FACTORY MODEL	CA51560									39213	M3 SCREW
ORIGINAL ISSUE	APRIL , 2005		SERIAL NO.							47181	TAPPING SCREW
										61222	M4 PHILLIPS SCREW
										61224	M4 PHILLIPS SCREW
										77035	M4 PHILLIPS SCREW
										77041	UNITY FASTENER
										77042	M4 PHILLIPS SCREW
										77524	GEAR CLUTCH
										80093	VINYL TUBE
										86945	JUMPER HARNESS
										87126	MAIN MOTOR BRACKET
										87237	MOTOR FAN
										87261	CP BOLT
										87263	DRIVING BELT
										87291	CPU CIRCUIT BOARD BOX
										87316	AC CIRCUIT BOARD BOX
										87341	SWITCH BRACKET
										87510	MAIN MOTOR
										87513	PIN-JACK HARNESS
										87514	TRANSFORMER
										87520	CPU CIRCUIT BOARD
										87522	13P CORD HARNESS
87523	4P CORD HARNESS										
87524	5P CORD HARNESS										
87530	CIRCUIT BOARD										
87536	INLET HARNESS										
87541	SWITCH										
87542	INSULATION SHEET										
From the library of: <i>Diamond Needle Corp.</i>											

BUYER'S MODEL NO.	7422	SECTION	PAGE	REVISION	REMARKS	PART NO.	DESCRIPTION
BUYER'S MODEL NAME	COSMO J-1,CB-1		11	NOVEMBER, 2005		2744	WASHER
FACTORY MODEL	CA51560					25670	WASHER
ORIGINAL ISSUE	APRIL, 2005	SERIAL NO.				31246	WASHER



PART NO.	DESCRIPTION
2744	WASHER
25670	WASHER
31246	WASHER
39213	M3 SCREW
44261	M4 SCREW
58024	TAPPING SCREW
59221	WASHER
61222	M4 PHILLIPS SCREW
64360	TOOTHED WASHER
64617	TAPPING SCREW
65736	M4 PHILLIPS SCREW
67533	RUBBER CUSHION
73299	M4 TORQUE NUT
74795	TAPPING SCREW
76440	BOBBIN WINDER LATCH
76511	SEAL
77042	M4 PHILLIPS SCREW
77044	M3 PHILLIPS SCREW
80112	FACE COVER BRACKET (Sub. for 87119)
86038	STUD SCREW
86042	SPACER
87218	NUT
87270	RUBBER FOOT
87271	RUBBER FOOT
87272	BRUSH
87293	SLIDE LEVER
87344	BLADE
87345	BLADE FIXTURE
87346	BUTTON
87356	LED PANEL
87368	BUTTON
87376	FACE COVER
87377	CONTROL PANEL
87404	KNOB
87526	SWITCH CIRCUIT BOARD
87544	SWITCH HARNESS

From the library of: Diamond Netec Corp

